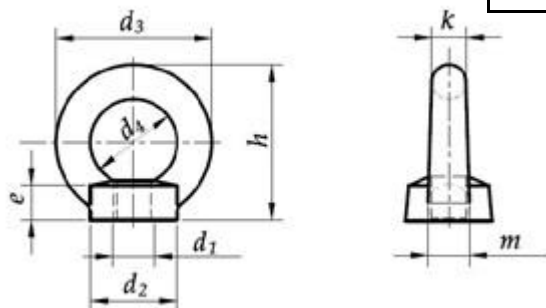


Veržlė su kilpa

Pagal DIN 582; 2009
acc. to DIN 582; 2009

Lifting eye nuts



Matmenys

Dimensions

D_1	M6*	M8	M10	M12	M16	M20	M24	M30	M36	M42	M48
D_{2NOM}	20	20	25	30	35	40	50	65	75	85	100
D_{3NOM}	36	36	45	54	63	72	90	108	126	144	166
D_{4NOM}	20	20	25	30	35	40	50	60	70	80	90
E	8,5	8,5	10	11	13	16	20	25	30	35	40
H_{NOM}	36	36	45	53	62	71	90	109	128	147	168
K_{NOM}	8	8	10	12	14	16	20	24	28	32	38
M_{NOM}	10	10	12	14	16	19	24	28	32	38	46

D_1	M56	M64	M72x6	M80x6	M100x6
D_{2NOM}	110	120	150	170	190
D_{3NOM}	184	206	260	296	330
D_{4NOM}	100	110	140	160	180
E	45	50	60	70	80
H_{NOM}	187	208	260	298	330
K_{NOM}	42	48	60	68	75
M_{NOM}	50	58	72	80	88

* - matmenys ne pagal standartą

* - dimension not in the standard

OTVIRTINIMO ELEMENTAI
INEGA

OTVIRTINIMO ELEMENTAI
INEGA