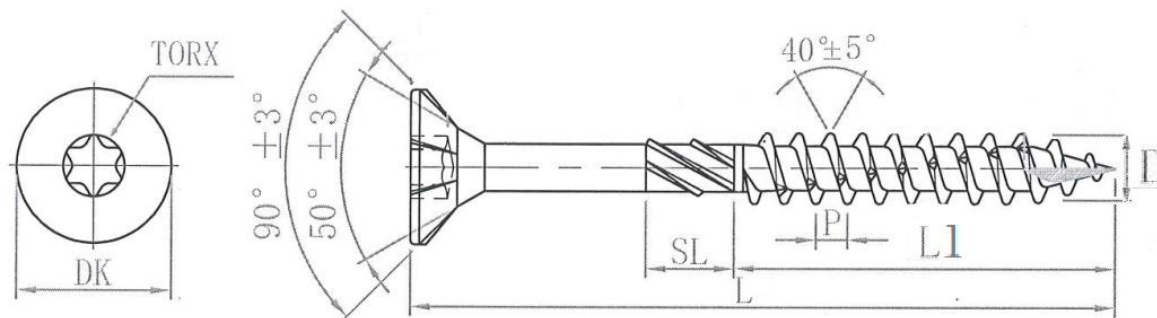


Fasadiniai medvaržčiai Torx, geltonu antikoroziniu padengimu

Double flat head chipboard screws with 6 ribs under head, torx drive, TYPE 17, ruspert yellow



Matmenys/Dimensions, mm

D	M4.0	M4.5	M5.0	M6.0
DK	7.50-8.00	8.50-9.00	9.50-10.00	11.50-12.00
SL	4.00-6.00	6.00-8.00	7.00-9.00	11.00-13.00
P	2.34-2.86	2.52-3.06	2.79-3.41	3.95-4.84
Įsukimo tipas/Drive type	TX20	TX25	TX25	TX30

L	L1	L1	L1	L1
40	22.75-24.00	22.95-24.00	22.95-24.00	18.25-20.00
45	25.50-27.00	25.95-27.00	25.50-27.00	
50	28.50-30.00	28.95-30.00	28.50-30.00	28.25-30.00
60	34.50-36.00	34.50-36.00	34.50-36.00	34.25-36.00
70	40.50-42.00	40.50-42.00	40.50-42.00	40.25-42.00
80		40.50-42.00	46.50-48.00	46.25-48.00
90			52.50-54.00	52.25-54.00
100			58.50-60.00	58.25-60.00
120			58.50-60.00	70.25-72.00