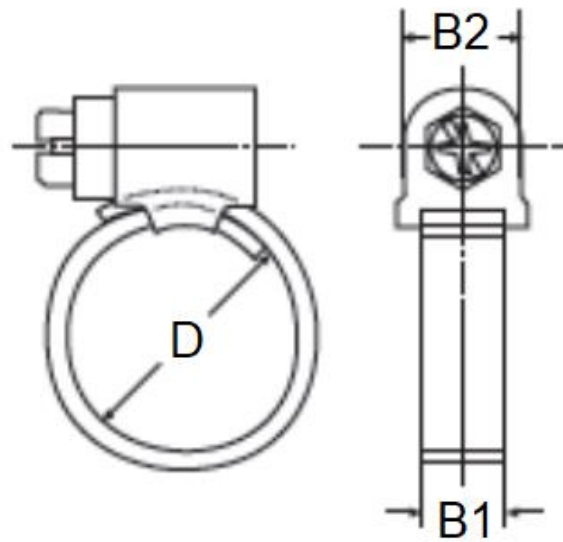


**Clamps with fastening lugs DIN3017**



Matmenys/Dimensions mm

D	B1	B2
ø 8 – 16	9	14
ø 12 – 20		
ø 16 – 25		
ø 20 – 32		
ø 25 – 40		
ø 32 – 50		
ø 40 – 60	13	20
ø 50 – 70		
ø 16 – 25		
ø 20 – 32		
ø 25 – 40		
ø 32 – 50		
ø 40 – 60		
ø 50 – 70		
ø 60 – 80		
ø 70 – 90		
ø 80 – 100		

D – diametras mm,

B1 – sąvaržos plotis mm,

B2 – tvirtinimo detalės diametras mm,

D – diameter mm

B1 – clamp`s diameter mm

B2 – fastening element`s diameter mm